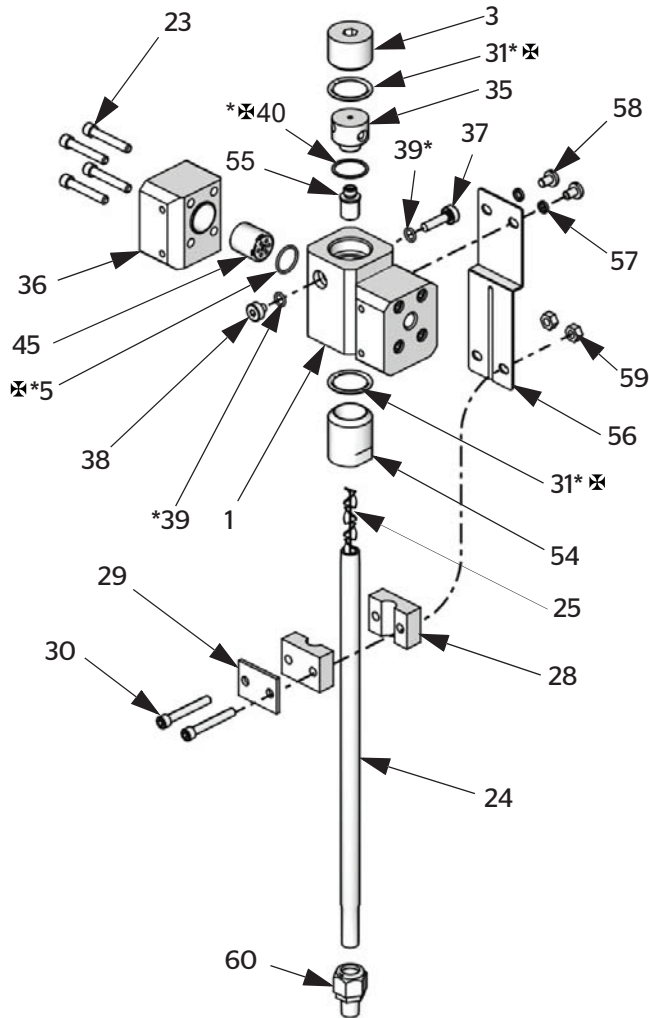




# ProMix 2KE Dynamic Dosing Mix Manifold



Ref	Part No.	Description	Qty
1	15T-571	BODY, integrator manifold	1
3	15T-592	PLUG, integrator manifold	1
5*⌘	110-135	O-RING	2
23	15B-588	SCREW, cap, socket hd	8
24	15D-430	TUBE, static mixer	1
25	118-822	ELEMENT, static mixer	2
28	118-830	CLAMP, body, integrator tube	2
29	118-831	COVER, clamp, integrator tube	1
30	101-885	SCREW, cap, socket hd	2
31*⌘	110-966	O-RING	2
35	15T-943	BASE, integrator	1
36	---	MANIFOLD, end	2
37	15T-748	SEAL, screw	1
38	15T-749	SEAL, screw	1
39*	110-004	O-RING	2
40*⌘	---	O-RING	1
45*	16D-658	VALVE, check	2
54	15U-955	KIT, injection, Occ; includes part 55	1
55	---	RESTRICTOR, injection, 0.070	1
56	16G-872	BRACKET, mounting	1
57	105-510	WASHER, lock	2
58	100-609	SCREW, machine, pan head	2
59	112-223	NUT, hex	2
60	16G-636	FITTING, outlet	1

\* Parts included in Manifold Rebuild Kit 15U-931. Note: the kit contains parts used to rebuild the check valve (45) and has additional parts not need to rebuild this manifold.

⌘ Parts included in Integrator Seal Kit 15U-930.

### Restrictor Kit

Part No.	Size	Description
15U-955	Occ	For dynamic dosing; includes housing, 6 injector restrictors and o-rings

# SPRAY

EQUIPMENT & SERVICE CENTER

800.666.6072 | SprayEquipment.com