

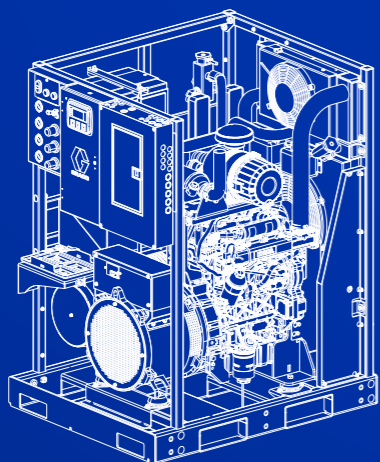


Integrated PowerStation™

Advanced Power Solution for Reactor® 2

PROVEN QUALITY. LEADING TECHNOLOGY.

Change the way you configure your rig and prepare for the jobsite. The all new Integrated PowerStation, including a Tier 4 Final engine, features a compact design, smaller footprint, and is plug-and-play with standard Reactor® 2 proportioners, making it easy to set up your rig and to start spraying quickly. A Graco engineered solution that gives you more air power, more auxiliary power, more layout flexibility, more heat options and more fuel savings.



More of everything.

THE ALL NEW INTEGRATED POWERSTATION

The Integrated PowerStation provides more compressed air and more auxiliary electrical power. The new engine utilizes a power take-off (PTO) to efficiently run the compressor. The engine PTO belt drives the AC, resulting in more auxiliary electrical power being available: 30+ amps at 240v. Using a Reactor 2 proportioner also provides a back-up primary heat option if shore power or a temporary generator is ever desired.

MORE AUXILIARY POWER

for breakthrough power and performance.



Plug-and-play with Reactor 2 allows for more spray rig configuration. You can locate the Reactor 2 up to 20' away from your GenSet. Easily install the Integrated PowerStation in a separate room for better temperature control of your chemicals.

MORE LAYOUT FLEXIBILITY
by using an engineered modular system design.

Heat Exchanger (HX) Relocation Kit

- Allows HX's to be moved into the conditioned space

Reactor 2

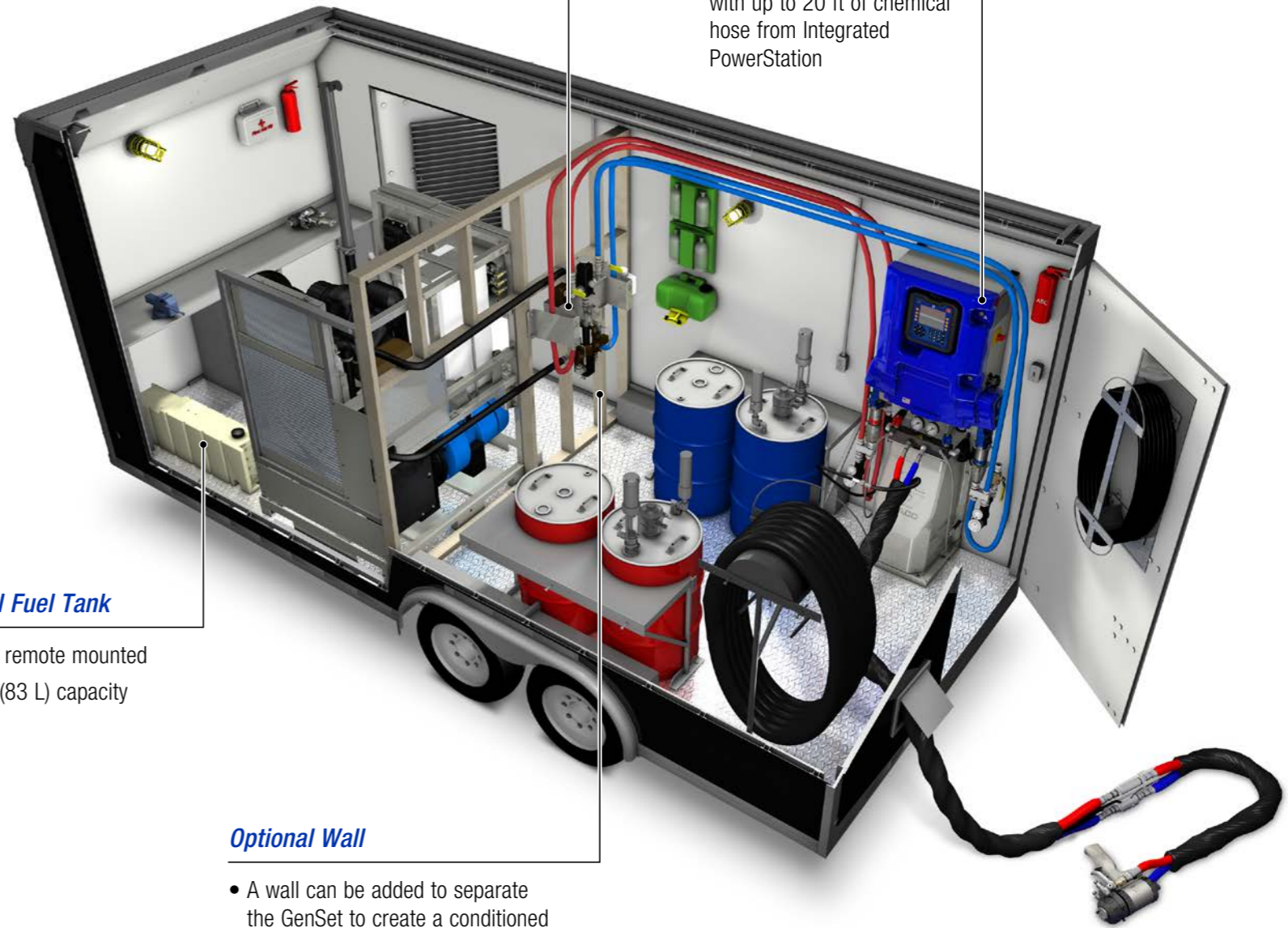
- Remote mount proportioner with up to 20 ft of chemical hose from Integrated PowerStation

Optional Fuel Tank

- Can be remote mounted
- 22 gal (83 L) capacity

Optional Wall

- A wall can be added to separate the GenSet to create a conditioned space for the chemicals



MORE PORTABILITY

for the ultimate portable spray foam operation.

Optional proportioner and fuel tank pallets can be attached to the Integrated PowerStation to make a truly portable unit that can be easily moved and even dropped on a jobsite. The open pallet design also provides easy access and maintenance to critical components: heat recovery system, air compressor and engine.

Reactor 2 Proportioner

- Plug and Play design allows standard Reactor 2 models to be used: E-30, E-XP2, H-30 and H-XP2

Optional Fuel Tank and Pallet

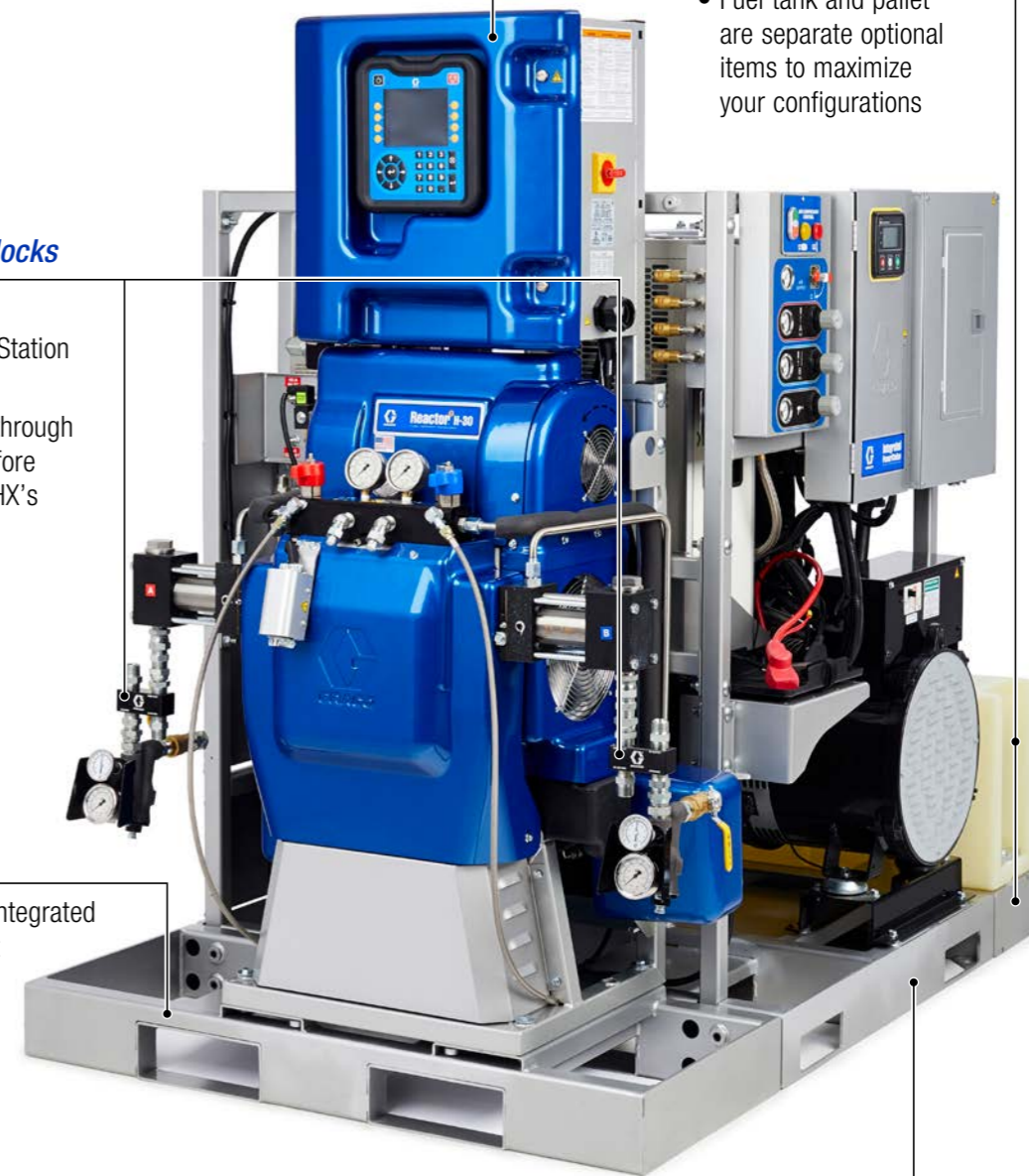
- Fuel tank and pallet are separate optional items to maximize your configurations

Inlet Manifold Blocks

- Supplied with Integrated PowerStation
- Allows A and B chemicals to go through inlet strainers before being heated at HX's

Optional Reactor 2 Pallet

- Easily attaches to Integrated PowerStation pallet for maximum portability



Compact Design

- Self contained on a single pallet for easy setup and mobility
- Pallet designed for easy connection with Reactor and fuel tank pallets

The Integrated PowerStation, with its upgraded Tier 4 Diesel engine, allows you to turn your standard Reactor 2 into an “integrated” version with an inovative design that re-purposes wasted heat to save diesel fuel while increasing horsepower. Graco’s patented dual coolant loop design ensures that the A and B materials are isolated from the engine coolant, which provides constant, even temperatures.

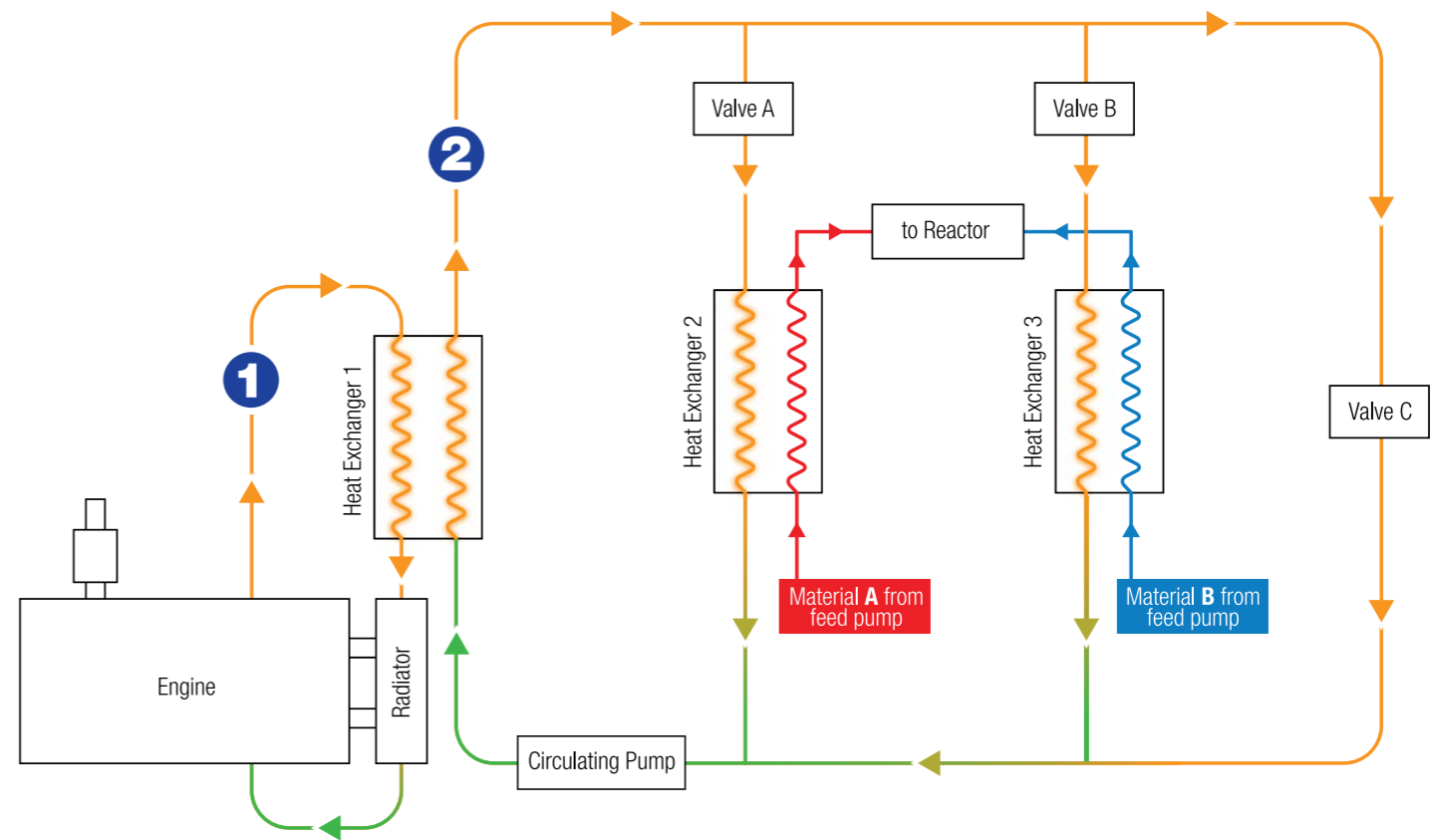
MORE FUEL SAVINGS
by re-purposing wasted heat

1 Engine Coolant Loop

Engine coolant goes through heat exchanger 1 and transfers the heat from the engine to the coolant in the secondary loop. Graco’s controls turn the radiator fan on when additional cooling is required.

2 Secondary Coolant Loop

Coolant in the secondary loop continually circulates when valve C is open, maintaining a consistent temperature. When material heating is required, valve C closes, and valves A and B open. This allows the coolant in the secondary loop to go through heat exchangers 2 and 3, thereby transferring the heat to the A and B materials.



► **Fast material heating gets you up and running quicker.**

With just one pass through the heat exchanger, materials can be heated to a Delta T (*change in temperature*) of 100°F (56°C) (Max Delta T 140°F when using 4 kW boost heat). That’s 25% **more** than a standard Reactor model. Because of this better Delta T performance, you don’t have to wait as long for materials to preheat.

The Integrated PowerStation will transform the way you build your spray rigs.

Refrigerated Air Dryer (standard on some models)

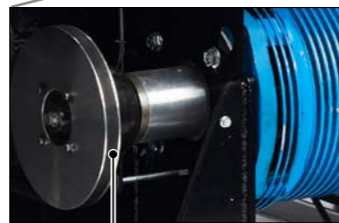
- Efficiently removes water from air supply
- Keeps gun and transfer pumps working correctly

Heat Recovery System

- Heat Exchanger (HX) system recovers heat from the engine coolant and transfers it to the A and B materials
- Allows for smaller engine by reducing electrical heat load
- Nickel braided heat exchangers for increased corrosion resistance
- Optional relocation kit available

PTO Shroud

- Protects PTO connection from fluids
- Provides guarding for belts and pinch points
- Provides a convenient hook to hold a 5 gal pail when draining coolant or A/B chemicals



Engine Power Take-off (PTO)

- Efficient belt driven air compressor
 - Allows for more auxiliary electrical power

Air Control Panel (standard on some models)

- Turn AC on/off
- Controls air pressure for A and B feed pumps, agitator and gun
- Preplumbed to provide simplified installation and less assembly time

Electrical Distribution Panel

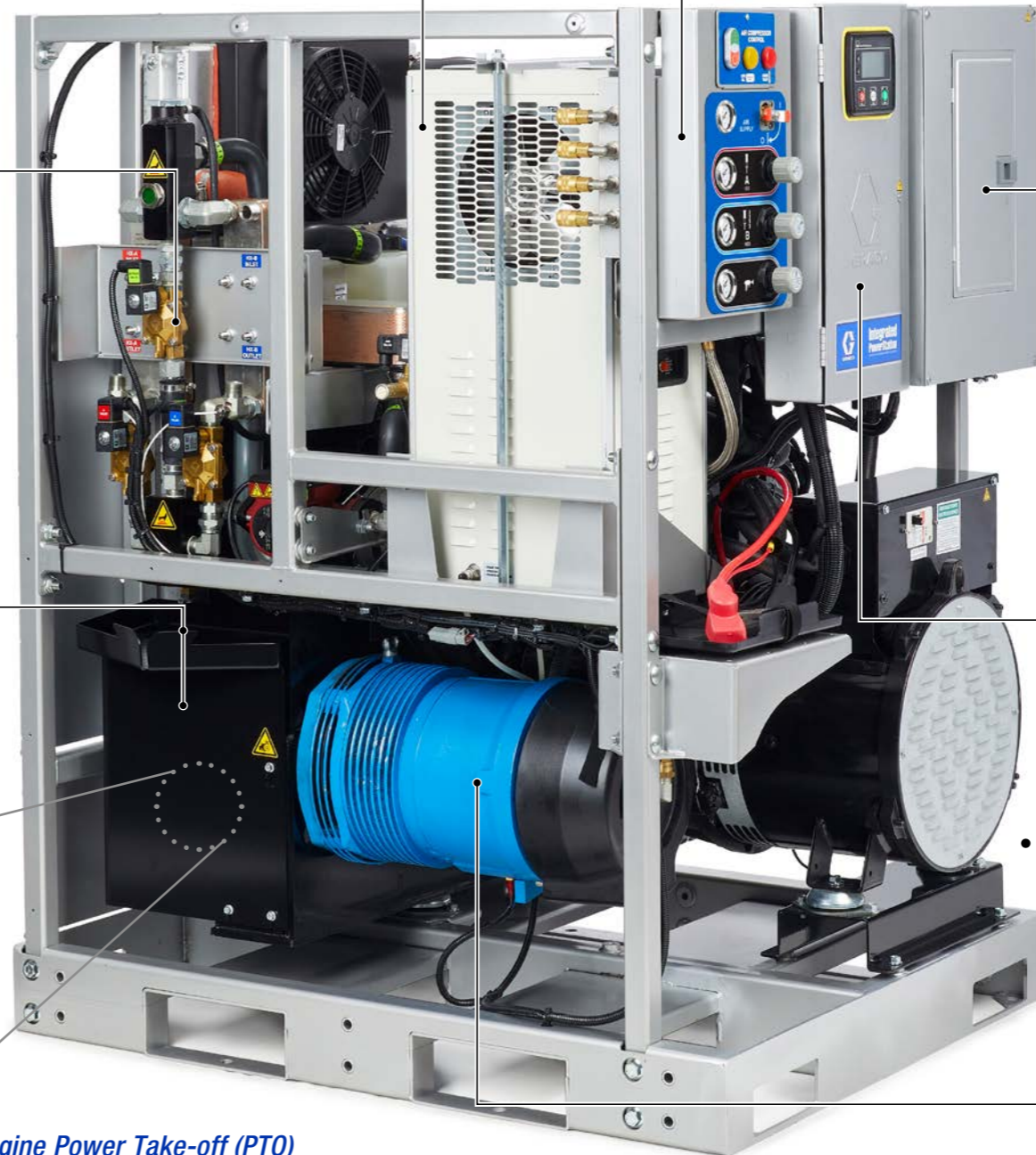
- Breaker panel for Reactor and auxiliary equipment
- Breaker space provided for 30+ amp auxiliary power at 240V

Genset Controller and Load Center

- Integrated engine controls allow for convenient and easy start up
- Monitors engine and provides diagnostics
- Load center communicates with Reactor 2

Rotary Vane Air Compressor (standard on some models)

- No tank required
- Pulse free continuous air
- Low maintenance, low noise
 - Long service life



The Integrated PowerStation utilizes a compact design while maintaining easy access to key service points.

Charge Air Cooler

- Engine is turbo charged for reduced altitude degradation
- Increased engine horsepower
- Provides large power band for increased performance

Remote AC Oil Fill Point

- Easy and convenient access to add oil to your AC

Tier 4 Final Compliance Diesel Engine

- Smaller engine reduces diesel fuel consumption
- Easy access to key service points

Alternator

- Space efficient pancake style

Radiator

- Radiator can be easily ducted and exhausted from your spray rig
- Radiator fan is controlled by the Reactor to accurately regulate the coolant temperature



MORE OPTIONS

for turnkey configurations

Two configurations of the Integrated PowerStation are available factory assembled with a Reactor 2 proportioner. These new part numbers make it easier to install for customers not wanting to separate the proportioner from the Integrated PowerStation. The turnkey units come fully assembled and wired from Graco.

Reactor 2 Proportioner

- Turnkey configurations available for both electric and hydraulic Reactor 2 models:
E-30, 10kW, part #272010
H-40, 10kW, part #17H031

Fluid Hoses

- All fluid hoses between the proportioner and PowerStation will be supplied and installed

Electrical Connections

- All electrical connections between the proportioner and PowerStation will be supplied and installed

Properly Configured

- Heaters are properly wired and ADM are configured for use with PowerStation

Fully Assembled

- GenSet and Reactor pallet fastened together for easy setup and mobility

GenSet

- Turnkey systems utilize 35 cfm air compressor



► Technical Information

The Graco Integrated PowerStation has your needs in mind. Compact, portable and easily configured to meet the demands of your business.

DESCRIPTION	Integrated PowerStation Tier 4 Final, no air compressor	Integrated PowerStation Tier 4 Final, 20 cfm air compressor	Integrated PowerStation Tier 4 Final, 35 cfm air compressor
MODEL NUMBER	979200	979201	979202
ENGINE	Kohler KDI1903TCR, 33.6 kW		
ALTERNATOR	Mecc Alte, 240V, 1-PH, 90A, 22 kVA		
COMPRESSOR	Not Included	Hydrovane HV04: 20 cfm, 5HP	Hydrovane HR07: 35 cfm, 10HP
AIR DRYER	Not Included	Hankison HIT20: 22 cfm	Hankison HIT35: 35 cfm
AUXILIARY POWER	No Compressor, 4 kW boost heat: 36A @ 240V, 60Hz 20 or 35 cfm Air Compressor, 4 kW boost heat: 31.7A @ 240V, 60Hz <i>(Using 2 kW boost heat add 8.3A @ 240V)</i> <i>Check with local electrical laws for confirmation of use.</i>		
AIR CONTROLS	Not Included	Included	Included
PALLET SIZE	46.75 x 37.5 x 58 in (W x L x H)	46.75 x 37.5 x 58 in (W x L x H)	46.75 x 37.5 x 58 in (W x L x H)
WEIGHT	1690 lbs	1820 lbs	1900 lbs
FUEL CONSUMPTION	25% Engine Load: 0.49 gal/hr 50% Engine Load: 0.97 gal/hr 75% Engine Load: 1.46 gal/hr 100% Engine Load: 1.94 gal/hr		
FUEL TANK	Not Included (optional kit 24K390)		
ELECTRICAL PANEL	Square D: QO Load Center		

► Simple Ordering Process



Step 1:

Select a standard Reactor 2 proportioner or package.

Choose an E-30 or H-30 for your spray foam application needs or an E-XP2 or H-XP2 for your polyurea application needs. You may also choose to use your existing Reactor 2.



Step 2:

Select an Integrated PowerStation model.

Choose a PowerStation without an air compressor (no air dryer, no air controls), with a 20 cfm air compressor or with a 35 cfm air compressor.



Step 3:

Select any optional kit(s) if necessary.

Customize the system to meet your needs with an optional fuel tank, Reactor pallet, fuel tank pallet or remote mount heat exchanger.

► Ordering Information

Integrated PowerStation

- 979200 Integrated PowerStation, no air compressor
- 979201 Integrated PowerStation, 20 cfm air compressor
- 979202 Integrated PowerStation, 35 cfm air compressor

Turnkey Integrated PowerStation

- 998010 Integrated PowerStation, 35 cfm air compressor, Reactor 2 E-30 and Reactor pallet
All fluid and electrical connections assembled and provided.
- 998020 Integrated PowerStation, 35 cfm air compressor, Reactor 2 H-30 and Reactor pallet
All fluid and electrical connections assembled and provided.

Turnkey Integrated PowerStation Multi Hose Packages

- AH8010 Integrated PowerStation, 35 cfm air compressor, Reactor 2 E-30, Reactor pallet, Fusion AP Gun, Whip Hose and 5 Xtreme Wrap Hoses.
All fluid and electrical connections assembled and provided.
- AH8020 Integrated PowerStation, 35 cfm air compressor, Reactor 2 H-30, Reactor pallet, Fusion AP Gun, Whip Hose and 5 Xtreme Wrap Hoses.
All fluid and electrical connections assembled and provided.

Optional Kits

- 24K390 Fuel Tank
- 25E306 Reactor Pallet
- 25E307 Fuel Tank Pallet
- 25B067 Heat Exchanger Relocation Kit



GRACO HEADQUARTERS

WORLDWIDE HEADQUARTERS

Graco Inc.
88 -11th Avenue N.E.
Minneapolis, MN 55413
Tel: 612-623-6000



Graco Has You Covered

Facilities Worldwide for Global Support



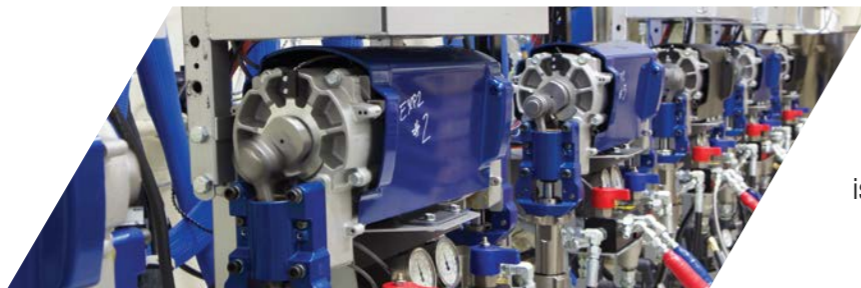
Quality First

At Graco we pride ourselves on providing best-in-class products. Engineered solutions are manufactured in our own facilities, with the highest standards in the industry. We provide you with world-class customer support and expertise to help solve your application challenges.



Global Reach

Graco has facilities across the globe to provide you with the products and service you need, where you live. Plus, Graco has dedicated field experts in all areas of the world to support the products we sell.



Product Capabilities

Graco has a broad range of products that are engineered and tested to perform in the harshest environments so you can be certain your equipment is protected and working at peak performance.

Contact us today!

Call **866-361-5959** to talk with a Graco representative, or visit www.graco.com for more information.