



# Supply Pumps

With NXT™ Technology



## Setting a New Industry Standard!

- Provides material tracking, system diagnostics and runaway control with DataTrak™, the market's first integrated local monitoring system
- Positive displacement, 2-ball piston designs for uniform and easily controlled delivery
- Easily handles a broad range of paints and coatings
- Designed for improved serviceability with fewer parts, faster repairs and lower cost of ownership

PROVEN QUALITY. LEADING TECHNOLOGY.

# Graco's High Performance Pumps



## Your choice is clear.

When you buy a Graco pump, you get the precise pressure and output you need for all of your finishing applications.

### Long Lasting Durability

Graco's durable, 2-ball piston pumps have survived the test of time. Our President air motor is long lasting and provides constant fluid flow and pressure with minimal pulsation.

Standard UHMWPE packings extend the pump life in abrasive applications and Chromex™ coated rods and chrome coated cylinders resist wear and corrosion on parts. Graco's superior pump technology delivers high performance and trouble-free reliability.

### Noise Reduction

The quiet, low-noise NXT air motor operates around 87 dBA, while other comparable motors operate up to 103 dBA.

### Easy Maintenance

Graco air motors are designed with modular components so that no special tools are needed for assembly and repair.

# NXT Air Motor Features

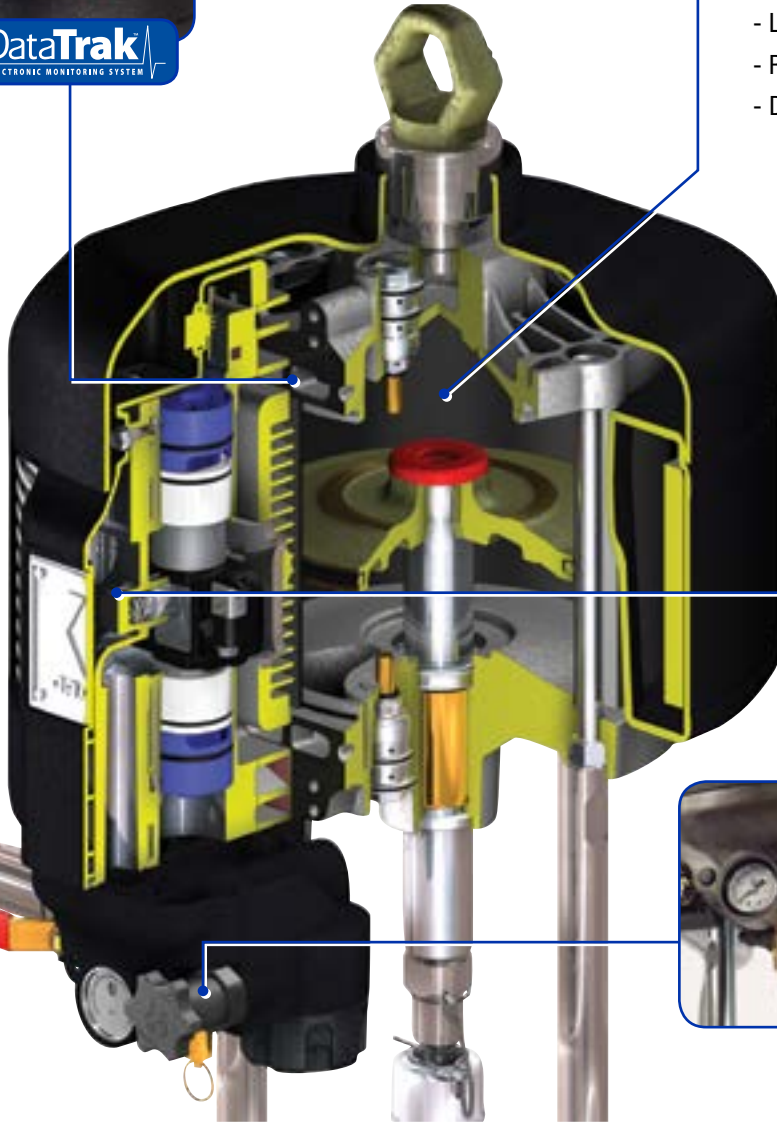


## Optional DataTrak™ Control

- Runaway protection
- Pump diagnostics
- Material usage

## NXT Air Motor

- Modular design for easier maintenance
- Rugged body armor won't rust or dent
- Highest technology air motor on the market
- Three exhaust styles available
  - Low noise
  - Remote
  - De-Icing



## Modular Air Valve

- De-icing controls standard
- Up to 50% quieter than previous models
- Modular air valve
  - Reduces stalling
  - Easy-to-repair



## Optional Integrated Air Controls

- Lockable easy-turn regulator
- Front-mounted for convenient access
- Compact and modular
- Built-in filtration

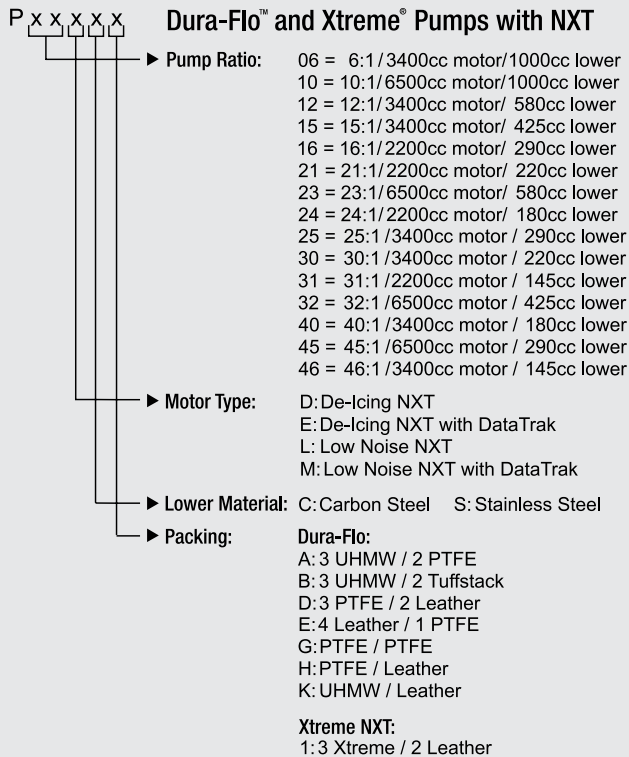
## NXT Technology

Built to handle the toughest finishing applications, the NXT air motor provides easy access to its integrated air controls and de-icing feature, plus it reduces noise.



## Use the Smart Number Ordering System

The six-digit Smart Numbering System can help you order quickly and accurately. Simply follow the diagram for the part you want and build your order.



## Accessories

### Mounting Accessories

- 255143 Wall mount bracket kit
- 253692 Floor stand
- 218742 Floor stand (High-Flo Plus)
- 247312 Wall mount and floor stand adapter for 2200 motor
- 287884\* Heavy duty cart
- 287919\* Light duty cart
- 289279 Cart adapter kit

### Pump Accessories

- NXT011 Integrated air control
- NXT031 Integrated air control (for JX60XX pumps)
- 261721 Wet cup booster cup (for mid-range High-Flo pumps)
- NXT206 DataTrak upgrade kit for the NXT 2200
- NXT306 DataTrak upgrade kit for the NXT 3400
- NXT606 DataTrak upgrade kit for the NXT 6500

### Suction Kits

- 247472 For 1.25 in (m) 5 gallon CS suction kit
- 247473 For 1.25 in (m) 55 gallon CS suction kit
- 247475 For 1.5 in (f) 5 gallon SST suction kit
- 247476 For 1.5 in (f) 55 gallon SST suction kit
- 247477 For 2 in (f) 5 gallon SST suction kit
- 247478 For 2 in (f) 55 gallon SST suction kit

### Fluid Filter Kits

- 247479 For .75 in (f) SST fluid filter kit
- 247480 For 1 in (f) SST fluid filter kit
- 247474 Aluminum fluid filter kit

\*Please contact customer service for questions or assistance choosing the correct cart adapter kit for your pump.

# Dura-Flo™ and Xtreme®

	6:1	10:1	12:1	
<b>PUMP SPECIFICATIONS</b>	Output per cycle	1000 cc	1000 cc	580 cc
	Motor Size	NXT 3400	NXT 6500	NXT 3400
	Maximum Working Pressure psi (bar, MPa)	620 (43, 4.3)	1190 (82, 8.2)	1190 (82, 8.2)
	Maximum Air Input Pressure psi (bar, MPa)	100 (7, 0.7)	100 (7, 0.7)	100 (7, 0.7)
	Output at 60 CPM gpm (lpm)	17.4 (65.8)	17.4 (65.8)	9.2 (34.8)
<b>INLET/ OUTLET</b>	CS Pump Inlet Size	2" npt (f)	2" npt (f)	2" npt (f)
	CS Pump Outlet Size	1 1/2" npt (f)	1 1/2" npt (f)	1 1/2" npt (f)
	SST Pump Inlet Size	2" npt (f)	n/a	2" npt (f)
	SST Pump Outlet Size	1" npt (f)	n/a	1 1/2" npt (m)
<b>MANUALS</b>	CS Pump Manual	311833	311833	311826
	SST Pump Manual	311833	n/a	311826
	CS Lower Manual	311717	311717	311825
	SST Lower Manual	311716	n/a	311825
	Motor Manual	311238	311238	311238

	MOTOR TYPE	DATATRAK INCLUDED	PACKINGS	6:1	10:1	12:1
<b>CARBON STEEL</b>	D		1			
	D		D			P12DCD
	D		K	P06DCK	P10DCK	
	E	Yes	1			
	E	Yes	D			P12ECD
	E	Yes	K	P06ECK	P10ECK	
	L		1			
	L		D			P12LCD
	L		K	P06LCK	P10LCK	
	M	Yes	1			
<b>PUMP CONSTRUCTION</b>	M	Yes	D			P12MCD
	M	Yes	K	P06MCK	P10MCK	
	D		A			P12DSA
	D		B			
	D		E			
	D		G	P06DSG		
	E	Yes	A			P12ESA
	E	Yes	B			
	E	Yes	E			
	E	Yes	G	P06ESG		
<b>STAINLESS STEEL</b>	E	Yes	H			
	L		A			P12LSA
	L		B			
	L		E			
	L		G	P06LSG		
	L		H			
	M	Yes	A			P12MSA
	M	Yes	B			
	M	Yes	E			
	M	Yes	G	P06MSG		
M	Yes	H				

15:1	16:1	21:1	23:1	24:1	25:1	30:1	31:1	32:1	40:1	45:1	46:1
430 cc	290 cc	220 cc	580 cc	180 cc	290 cc	220 cc	145 cc	425 cc	180 cc	290 cc	145 cc
NXT 3400	NXT 2200	NXT 2200	NXT 6500	NXT 2200	NXT 3400	NXT 3400	NXT 2200	NXT 6500	NXT 3400	NXT 6500	NXT 3400
1580 (109, 10.9)	1520 (105, 10.5)	2030 (140, 14.0)	2270 (156, 15.6)	2430 (167, 16.7)	2380 (164, 16.4)	3170 (218, 21.8)	3040 (209, 20.9)	3030 (209, 20.9)	3800 (262, 26.2)	4550 (313, 13.3)	4750 (327, 32.7)
100 (7, 0.7)	100 (7, 0.7)	100 (7, 0.7)	100 (7, 0.7)	100 (7, 0.7)	100 (7, 0.7)	100 (7, 0.7)	100 (7, 0.7)	100 (7, 0.7)	100 (7, 0.7)	100 (7, 0.7)	100 (7, 0.7)
6.9 (26.1)	4.6 (17.5)	3.4 (12.9)	9.2 (34.8)	2.9 (11.0)	4.6 (17.5)	3.4 (12.9)	2.3 (8.8)	6.9 (26.1)	2.9 (11.0)	4.6 (17.5)	2.3 (8.8)
2" npt (f)	1 1/4" npt(m)	1 1/4" npt(m)	2" npt (f)	1 1/4" npt(m)	1 1/4" npt(m)	1 1/4" npt(m)	1 1/4" npt(m)	2" npt (f)	n/a	n/a	n/a
1 1/2" npt (f)	1" npt (f)	1" npt (f)	1 1/2" npt (f)	3/4" npt (f)	1" npt (f)	1" npt (f)	3/4" npt (f)	1 1/2" npt (f)	n/a	n/a	n/a
2" npt (f)	2" npt (f)	2" npt (f)	2" npt (f)	1 1/2" npt (f)	2" npt (f)	2" npt (f)	1 1/2" npt (f)	2" npt (f)	1 1/2" npt (f)	2" npt (f)	1 1/2" npt (f)
1 1/2" npt (m)	1" npt (f)	1" npt (f)	1 1/2" npt (m)	3/4" npt (f)	1" npt (f)	1" npt (f)	3/4" npt (f)	1 1/2" npt (m)	3/4" npt (f)	1" npt (f)	3/4" npt (f)
311826	311164	311164	311826	311164	311164	311164	311164	311826	n/a	n/a	n/a
311826	311828	311828	311826	311828	311828	311828	311828	311826	311828	311828	311828
311825	311762	311762	311825	311762	311762	311762	311762	311825	n/a	n/a	n/a
311825	311827	311827	311825	311827	311827	311827	311827	311825	311827	311827	311827
311238	311238	311238	311238	311238	311238	311238	311238	311238	311238	311238	311238

15:1	16:1	21:1	23:1	24:1	25:1	30:1	31:1	32:1	40:1	45:1	46:1
	P16DC1	P21DC1		P24DC1	P25DC1	P30DC1	P31DC1				
P15DCD			P23DCD					P32DCD			
	P16EC1	P21EC1		P24EC1	P25EC1	P30EC1	P31EC1				
P15ECD			P23ECD					P32ECD			
	P16LC1	P21LC1		P24LC1	P25LC1	P30LC1	P31LC1				
P15LCD			P23LCD					P32LCD			
	P16MC1	P21MC1		P24MC1	P25MC1	P30MC1	P31MC1				
P15MCD			P23MCD					P32MCD			
			P23DSA								
P15DSB								P32DSB			
	P16DSE	P21DSE		P24DSE	P25DSE	P30DSE			P40DSE	P45DSE	
							P31DSH				P46DSH
			P23ESA								
P15ESB								P32ESB			
	P16ESE	P21ESE		P24ESE	P25ESE	P30ESE			P40ESE	P45ESE	
							P31ESH				P46ESH
			P23LSA								
P15LSB								P32LSB			
	P16LSE	P21LSE		P24LSE	P25LSE	P30LSE			P40LSE	P45LSE	
							P31LSH				P46LSH
			P23MSA								
P15MSB								P32MSBI			
	P16MSE	P21MSE		P24MSE	P25MSE	P30MSE			P40MSE	P45MSE	
							P31MSH				P46MSH

# President®

## Pneumatic 2-Ball Piston Pumps



### President/Monark Features and Benefits

- Reliable, low maintenance air motor
- Positive displacement, 2-ball piston design provides uniform and easily controlled delivery
- Stainless steel or carbon steel models available to handle various fluids
- Drum and stubby length models available for mounting and application flexibility

### Technical Specifications and Ordering Information

Model		3:1	4:1	10:1	15:1	30:1	46:1
PUMP SPECIFICATIONS	Output per cycle	630 cc	500 cc	189 cc	112 cc	62 cc	36 cc
	Maximum working pressure psi (bar, MPa)	360 (25, 2.5)	400 (28, 2.8)	1800 (124, 12.4)	1800 (124, 12.4)	3600 (250, 25)	4600 (317, 31.7)
	Maximum air input pressure psi (bar, MPa)	120 (8, 0.8)	100 (7, 0.7)	180 (12, 1.2)	120 (8, 0.8)	120 (8, 0.8)	100 (7, 0.7)
	Output at 60 CPM gpm (lpm)	10 (37.8)	8 (30.2)	3 (11.3)	1.8 (6.8)	1 (3.8)	0.55 (2.1)
INLET/OUTLET	Pump inlet size	1-1/2 npt(f)	1-1/2 npt(f)	Stubby: 3/4 npt(f) Drum: No intake thread	3/4 npt(m)	316 SST: 3/4 npt(f) Other Models: 3/4 npt(m)	3/4 npt(m)
	Pump outlet size	Stubby: 3/4 npt(m) Drum: 1 npt(f)	1 npt(f)	Models 239326, 224347, 224348: 3/4 npt(f) Models 224342, 224348: 1/2 npt(f)	1-1/2 npt(f)	316 SST: 1/4 npt(f) Other Models: 3/8 npt(f)	3/8 npt(f)
MANUALS	Pump manual assembly	307674	307986	308116 (Model 224342) 308117 (Models 224346, 224347) 308118 (SST Drum Pumps) 308738 (CS Drum Pumps)	306936	306769 (316 SST model) 308106 (304 SST model) 306981 (CS models)	307619

Type		Seals	3:1	4:1	10:1	15:1	30:1	46:1
PUMP CONSTRUCTION	CARBON STEEL	Stubby	4 Leather/1 PTFE	237142				
		Stubby	3 Leather/ 2 PTFE	237143				
		Stubby	3 UHMWPE/2 Leather		223184			
		Stubby	PTFE/Leather				217580	223586
		Drum	4 Leather/1 PTFE	237144				
		Drum	3 UHMWPE/2 Leather	218795	223183			
		Drum	PTFE			239326		
		Drum	PTFE/Leather					221075
	STAINLESS STEEL	Stubby	3 UHMWPE/2 Leather	218747				
		Stubby	5 PTFE	237146				
		Stubby	UHMWPE/PTFE			224342		
		Stubby	UHMWPE/Neoprene			224346		
		Stubby w/Riser Tube	UHMWPE/Neoprene			224347		
		Stubby 304 SST	PTFE/Leather				223843	239140
Drum	3 UHMWPE/2 Leather	218795						
Drum	5 PTFE	237145						
Drum	UHMWPE/PTFE			224348				

### Additional Lower Displacement Pumps

Lower Displacement		Standard Seal Repair		Standard Displacement Rod		Sleeve Housing	
Pump	Mat'l	Kit	Const.	Rod	Const.	Housing	Const.
223595	CS	239328	4 Leather/ 1 PTFE	223603	SST	178898	SST

# Monark®

## Pneumatic 2-Ball Piston Pumps



### President/Monark Typical Fluids Handled

- Solventborne and waterborne fluids
- High solids, plural component coatings
- Resins
- Stains, lacquers and varnishes
- Cleaning fluids
- Acid-catalyzed materials
- High solid coatings

### Technical Specifications and Ordering Information

	Part Number	218763	223186	224350	224343	224345	218956	239327	223844	223596	237958
PUMP SPECIFICATIONS	Model	1.5:1	2:1	5:1	5:1	5:1	5:1	15:1	15:1	23:1	23:1
	Output per cycle	429 cc	343 cc	157 cc	157 cc	157 cc	135 cc	44 cc	44 cc	27 cc	27 cc
	Maximum working pressure psi (bar, MPa)	180 (12, 1.2)	200 (12, 1.4)	900 (62, 6.2)	600 (42, 4.2)	900 (62, 6.2)	900 (62, 6.2)	2700 (186, 18.6)	2700 (186, 18.6)	3450 (238, 23.8)	2760 (190, 19.0)
	Maximum air input pressure psi (bar, MPa)	120 (8, 0.8)	100 (7, 0.7)	180 (12.4, 1.2)	120 (8, 0.8)	180 (12.4, 1.2)	180 (12.4, 1.2)	180 (12.4, 1.2)	100 (7, 0.7)	150 (10, 1.0)	120 (8, 0.8)
	Output at 60 CPM gpm (lpm)	6.8 (25.7)	5.4 (20.5)	2.5 (9.4)	2.5 (9.4)	2.5 (9.4)	2.1 (8.1)	0.7 (2.6)	0.7 (2.6)	0.4 (1.6)	0.4 (1.6)
INLET/OUTLET	Pump inlet size	1-1/2 npt(f)	1-1/2 npt(f)	1-1/5 (f)	3/4 npt(f)	3/4 npt(f)	N/A	3/4 npt(m)	3/4 npt(m)	3/4 npt(m)	3/4 npt(m)
	Pump outlet size	1 npt(f)	1 npt(f)	3/4 npt(f)	1/2 npt(f)	1/2 npt(f)	3/4 npt(f)	3/8 npt(f)	3/8 npt(f)	3/8 npt(f)	3/8 npt(f)
MANUALS	Pump manual assembly	307653	307985	308118	308116	308117	307044	308739	308106	307619	307619
	Lower manual	307652	307983	308118	308116	308117	307044	306981	308106	307619	307619
	Motor manual	307141	307043	307043	307043	307043	307043	307043	307043	307043	307043

	Type	Seals	1.5:1	2:1	5:1	5:1	5:1	5:1	15:1	15:1	23:1	23:1
PUMP CONSTRUCTION	CARBON STEEL	Stubby	UHMWPE/Leather		223186					239327		223596
		Drum	UHMWPE/Leather		223185							
			PTFE						218956			
PUMP CONSTRUCTION	STAINLESS STEEL	Stubby	UHMWPE/Leather	218763								237958
			UHMWPE/PTFE			224343						
			UHMWPE/Neoprene					224345				
			PTFE/Leather							223844		
	Drum	UHMWPE/PTFE			224350							

### Accessories

- 206220 Wall Bracket**  
For mounting President pump to wall.
- 207365 Wall Bracket**  
For mounting a President pump to a wall.
- 205640 Pump Floor Stand**  
For mounting a President pump in a suction feed system. Adapter 206108 is required.
- 205700 Pump Floor Stand**  
For mounting a President pump in a suction feed system.
- 220581 Pump Floor Stand**  
For mounting a President pump in a suction-feed system.
- 194248 Accessory Packing Tool**  
Eases insertion of piston assembly into cylinder.
- 168085 Accessory Assembly Tool**  
Use to install piston assembly into cylinder (model 239326).
- 171818 Adjustment Tool**  
A 0.145 in (3.7 mm) gauge used to ensure proper clearance between the poppets and the piston on the President air motor.
- 207579 Padded Pliers**  
For servicing President air motor trip rod.
- 236054 Suction Kit (Monark 1.5:1 and 2:1 only)**  
Use to siphon material out of 55 gal (200 l) closed-end drum. Includes siphon tube, bung adapter, 6 ft (1.8 m) nitrile hose, 1-1/2 npt(m) outlet fitting.
- 207484 Siphon Kit, Aluminum (Monark 5:1 only)**  
Use to siphon fluid from a 5 gal (18.9 l) pail. Includes nylon suction hose 214960, 3/4 in ID, 3.5 ft (1.1 m) long, 3/4 in npt(f) swivel outlet fitting.
- 208259 Siphon Kit, Carbon Steel (Monark 5:1 only)**  
Use to siphon fluid from a 55 gal (200 l) drum. Includes nylon suction hose 214961, 3/4 in ID, 6 ft (1.8 m), 3/4 in npt(f) swivel outlet fitting, bung adapter.
- 208920 Siphon Kit, Aluminum (Monark 5:1 only)**  
Use to siphon fluid from a 5 gal (18.9 l) pail. Includes nylon suction hose 170706, 1 in ID, 4 ft (1.2 m) long, 3/4 in npt(f) swivel outlet fitting, inlet strainer.



## ABOUT GRACO

### PROVEN QUALITY. LEADING TECHNOLOGY.

Founded in 1926, Graco is a world leader in fluid handling systems and components. Graco products move, measure, control, dispense and apply a wide range of fluids and viscous materials used in vehicle lubrication, commercial and industrial settings.

The company's success is based on its unwavering commitment to technical excellence, world-class manufacturing and unparalleled customer service. Working closely with qualified distributors, Graco offers systems, products and technology that set the quality standard in a wide range of fluid handling solutions. Graco provides equipment for spray finishing, protective coating, paint circulation, lubrication, and dispensing sealants and adhesives, along with power application equipment for the contractor industry. Graco's ongoing investment in fluid management and control will continue to provide innovative solutions to a diverse global market.

## GRACO LOCATIONS

### MAILING ADDRESS

P.O. Box 1441  
Minneapolis, MN 55440-1441  
Tel: 612-623-6000  
Fax: 612-623-6777

### AMERICAS

#### MINNESOTA

Worldwide Headquarters  
Graco Inc.  
88-11th Avenue N.E.  
Minneapolis, MN 55413

### EUROPE

#### BELGIUM

European Headquarters  
Graco N.V.  
Industrieterrein-Oude Bunders  
Slakweidestraat 31  
3630 Maasmechelen,  
Belgium  
Tel: 32 89 770 700  
Fax: 32 89 770 777

### ASIA PACIFIC

#### AUSTRALIA

Graco Australia Pty Ltd.  
Suite 17, 2 Enterprise Drive  
Bundoora, Victoria 3083  
Australia  
Tel: 61 3 9468 8500  
Fax: 61 3 9468 8599

#### CHINA

Graco Hong Kong Ltd.  
Shanghai Representative Office  
Building 7  
1029 Zhongshan Road South  
Huangpu District  
Shanghai, 200011  
The People's Republic of China  
Tel: 86 21 649 50088  
Fax: 86 21 649 50077

### INDIA

Graco Hong Kong Ltd.  
India Liaison Office  
Room 443, Augusta Point  
Regus Business Centre 53  
Golf Course Road  
Gurgaon, Haryana  
India 122001  
Tel: 91 124 435 4208  
Fax: 91 124 435 4001

### JAPAN

Graco K.K.  
1-27-12 Hayabuchi  
Tsuzuki-ku  
Yokohama City, Japan 2240025  
Tel: 81 45 593 7300  
Fax: 81 45 593 7301

### KOREA

Graco Korea Inc.  
Shinhan Bank Building  
4th Floor #1599  
Gwanyang-Dong, Dongan-Ku,  
Anyang-si, Korea 431-060  
Tel: 82 31 476 9400  
Fax: 82 31 476 9801

## SALES/ DISTRIBUTION/ SERVICE

Call today for product information or to request a demonstration.

**877-84GRACO (1-877-844-7226)** or visit us at [www.graco.com](http://www.graco.com).

Graco Inc. is registered to I.S. EN ISO 9001

North America  
Customer Service  
800-328-0211  
Fax 877-340-6427